



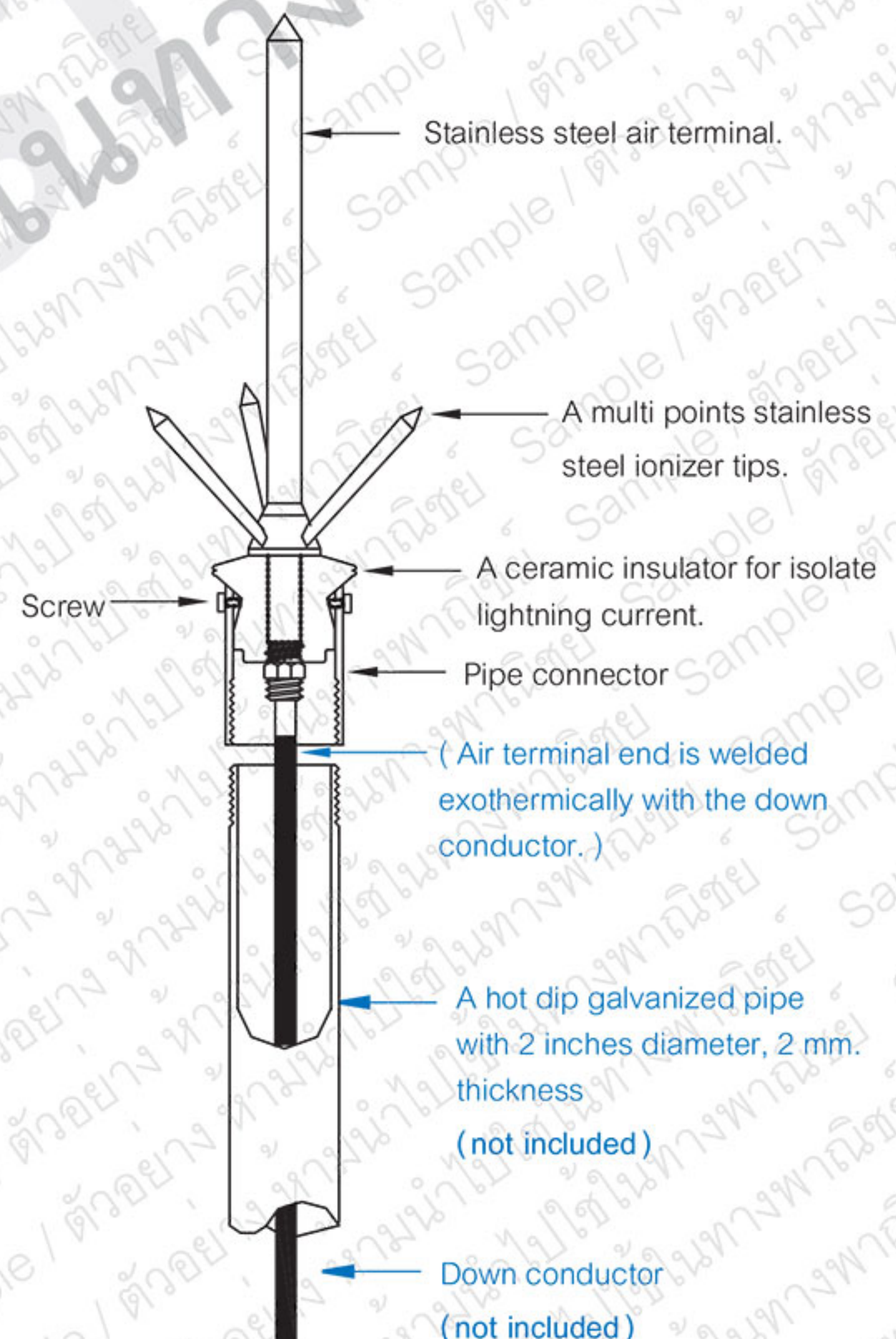
## 1. General

Lightning is the most dangerous and unfortunate phenomena happened naturally to the world. When it happens, a huge amount of lightning current will find the fastest path to reach and complete its circuit at common earth. This path should be able to facilitate the huge flow of lightning current to common earth as fast as possible. If the path is not well enough for the lightning current, the lightning current will find its way to the common earth through other path which might be a branch of main distribution board (MDB) or a load center causing damages to the personals and your valued equipment. Therefore, the shorter time for the lightning current to reach the common earth, the longer life time to your valued equipment.

## 2. Feature

- 2.1 Faraday's multi points ionizer tips design.
- 2.2 Designed according to the UL96 standard
- 2.3 Capability to withstand huge amount of lightning discharge current.
- 2.4 Self-contained & maintenance free.
- 2.5 High corrosion resistance.
- 2.6 Sealed joint base design for better electrical connectivity and durable life time.
- 2.7 No triggering device, none electronic component concept.
- 2.8 Flexibility for installation in all environments.

## 4. Detail Structure



## 3. Application / Structure

STABIL Air Terminal is Designed & Manufactured according to the UL96 standard with Faraday's multi points ionizer tips design to give various wide range of 45 degree protection angle.

When storm is really intense, a down leader is initiated and found its way to earth. When the down leader approaches the earth causing the electric field to increase up to 20 kV/m. At this point, an upward streamer is initiated at the tip of the air terminal to intercept the down leader reducing the intensity of the lightning discharge and providing safety to the systems and personals.

